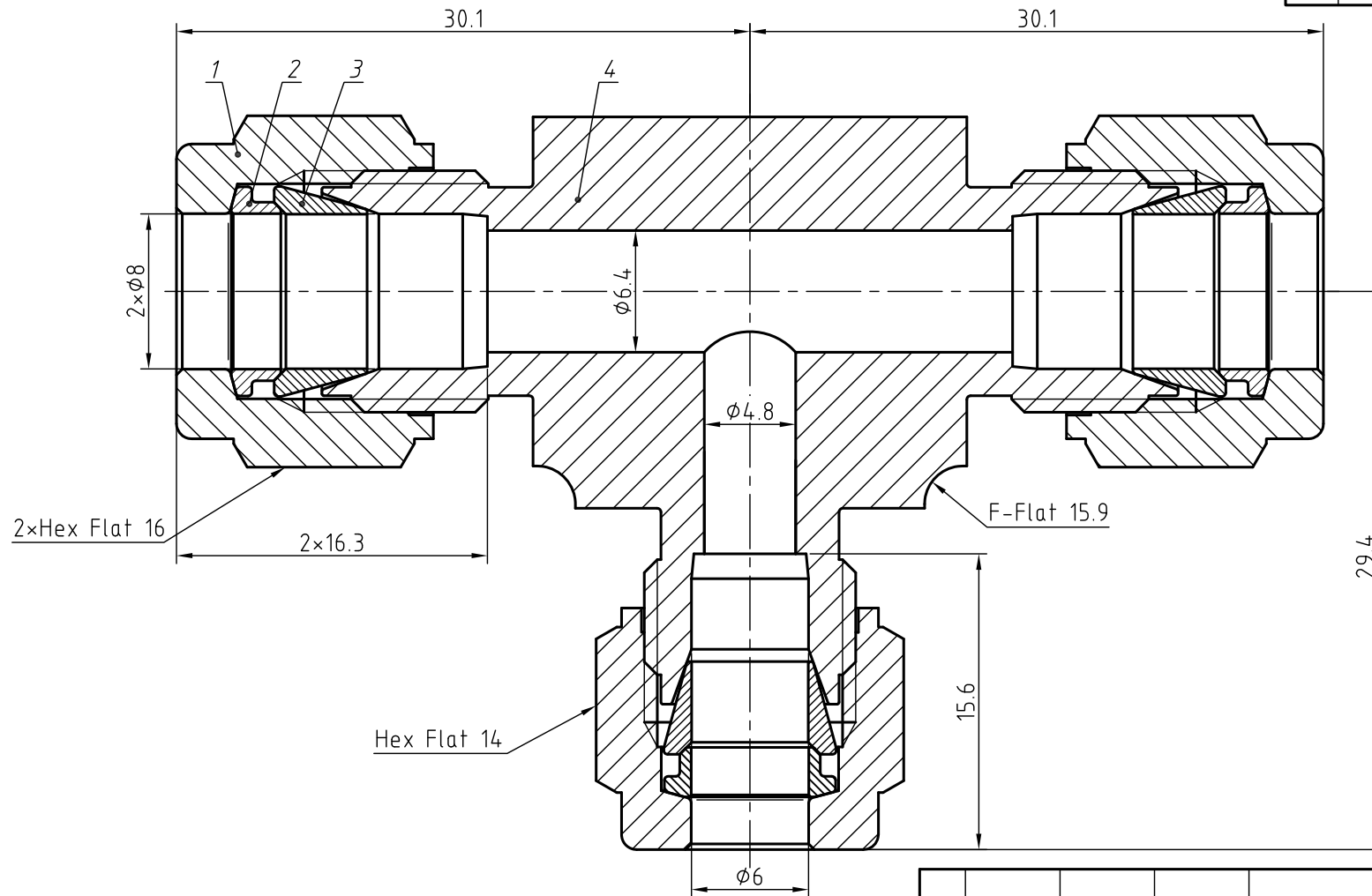



Item	Component	Material
1	Nut Hex	316SS/ASTM A276
2	Rear Ferrules	316SS/ASTM A276
3	Front Ferrules	316SS/ASTM A276
4	Body	F316SS/ASTM A182



NOTE: Dimensions for reference only.

REV.	DATE	DRAWN	CHECKED	UNLESS OTHERWISE SPECIFIED ALL DIMENSIONS ARE IN MILLIMETER		 FITOK Valves and Fittings
		NAME	DATE			
				SS-TTT-ML8-ML8-ML6		REV.
				DO NOT SCALE DRAWING		1
						SHEET 1 OF 1