

## PRODUCT SERIES SPECIFICATIONS

**Series:** MC

**Category:** General Purpose

**Pressure:** Vacuum to 250 psi, 17.3 bar

**Temperature:** -40°F to 180°F (-40°C to 82°C)

**Material Compliance**

**Reach:** Compliant

**RoHS:** Compliant

For more information see [cpcworldwide.com](http://cpcworldwide.com) or contact us at [cpcworldwide.com/ContactUs](http://cpcworldwide.com/ContactUs)

*Interactive 3D graphic, click to activate and rotate.*

**CPC's MC Series chrome-plated brass couplings** are built tough and made to last in the most demanding applications. Ideal for use with higher temperatures or pressures, MC Series couplings feature one-hand operation for swift and easy connects and disconnects. These couplings offer the flexibility of multiple configurations and terminations and mate with both PMC acetal and PMC12 polypropylene couplings.

### Features - Benefits

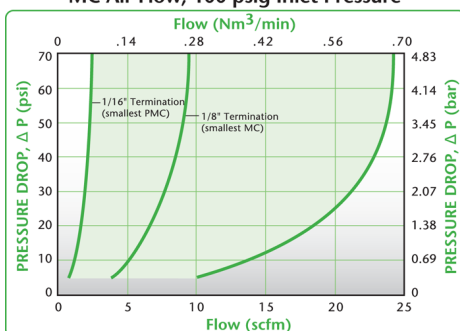
Brass material - Durable and able to withstand higher pressure and temperature

High temperature capability - Versions rated to 400°F (204°C)

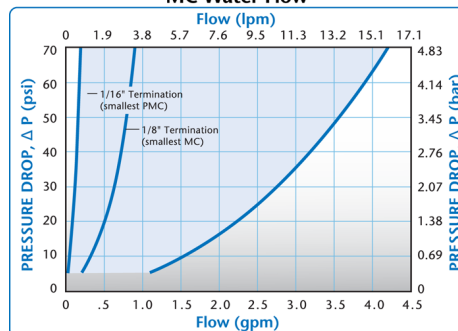
CPC thumb latch - One-hand connection and disconnection

Compatible - MC mates with PMC and PMC12 Series couplings

MC Air Flow, 100 psig Inlet Pressure

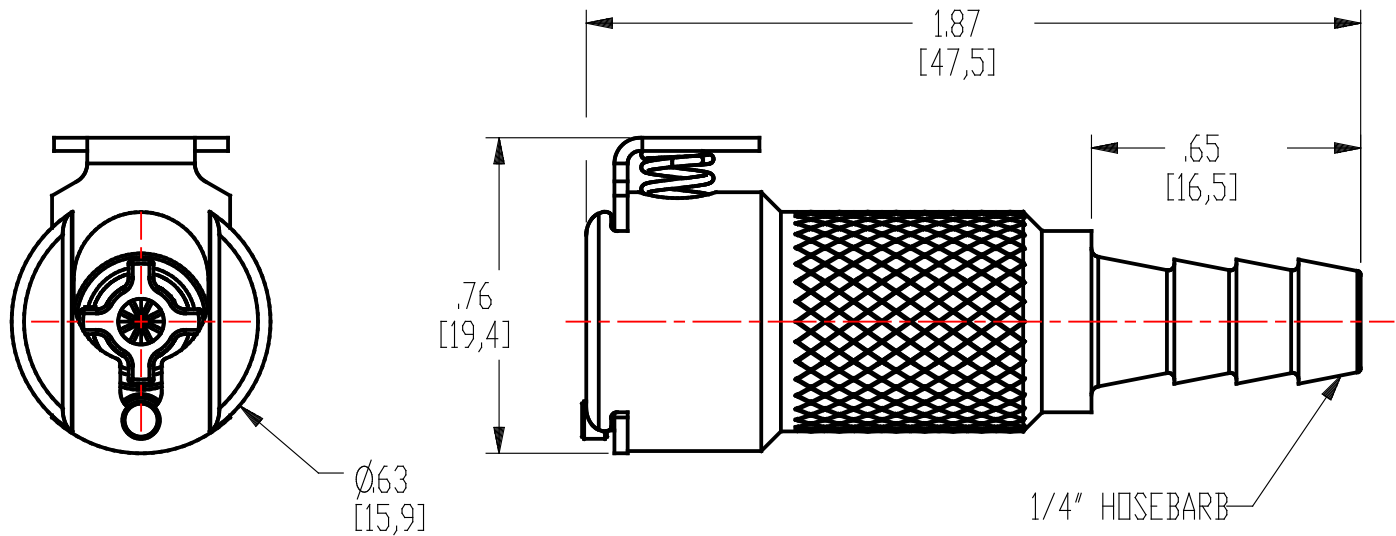


MC Water Flow



These graphs are intended to give you a general idea of the performance capabilities of each product line. Contact CPC for flow of a particular coupling combination.

**Technical details:**



**Description:** 1/4 Hose Barb Valved In-Line Coupling Body

**Materials:**

**Main Components:** Chrome Plated Brass

**Valve:** Natural Acetal

**Thumb Latch:** Stainless Steel

**Valve Spring:** Stainless Steel

**External Spring:** Stainless Steel

**Seals:** BUNA-N

**Standard Packaging Quantity:** 10