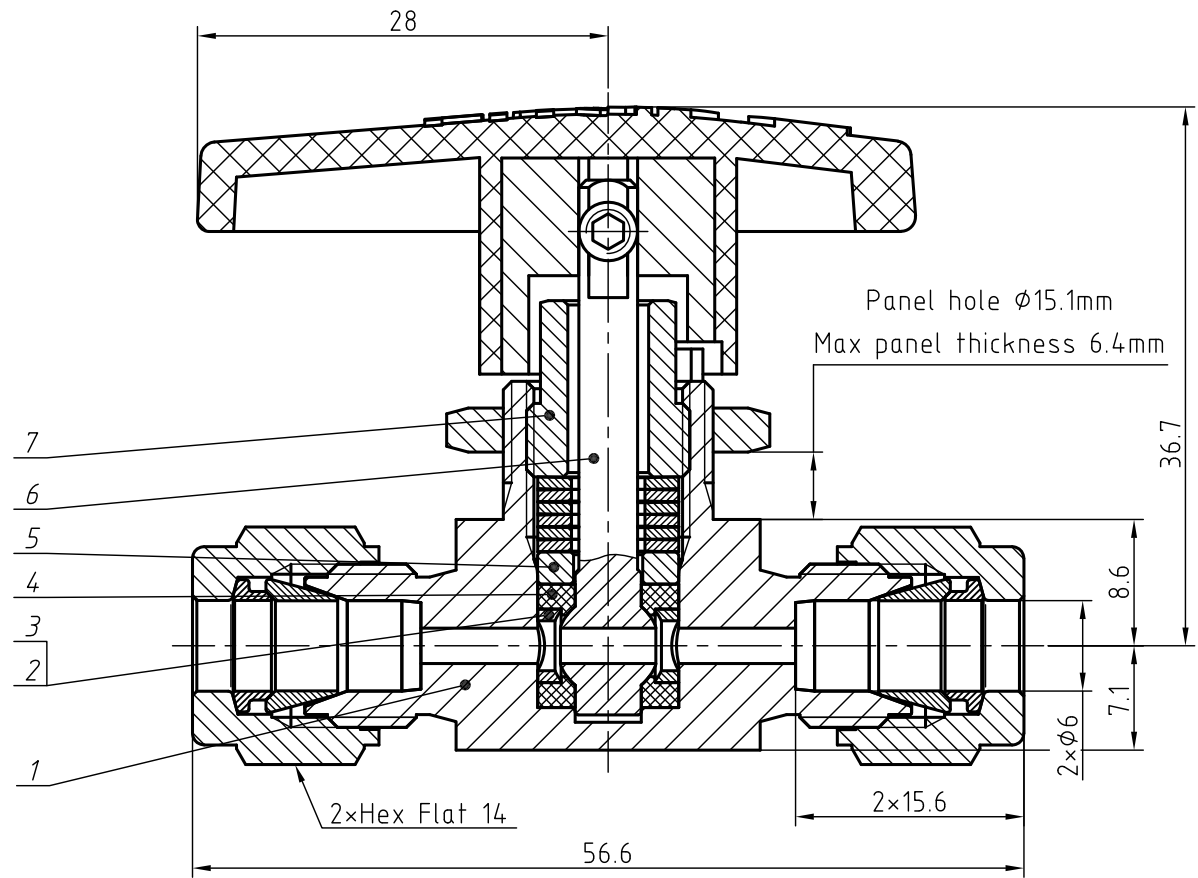
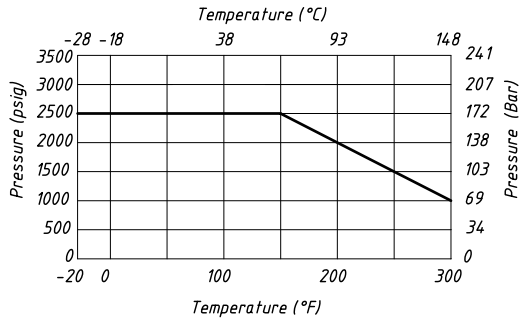



Item	Component	Material
1	Body	316
2	Support Disc	316
3	Support Ring	316
4	Seat	PTFE
5	Gland	316
6	Ball Stem	316
7	Packing Bolt	316



Pressure vs. Temperature



NOTE: Dimensions for reference only.

Valve Features		REV.	DATE	DRAWN	CHECKED	UNLESS OTHERWISE SPECIFIED ALL DIMENSIONS ARE IN MILLIMETER	 <b>FITOK</b>	Ball Valve		
Maximum working pressure	2500psig(172bar)			NAME	DATE				BOSS-ML6-02	REV.
Working temperature	-20~300°F(-28~148°C)									1
Orifice	0.09in.(2.4mm)	APPROVED				DO NOT SCALE DRAWING	SHEET 1 OF 1			