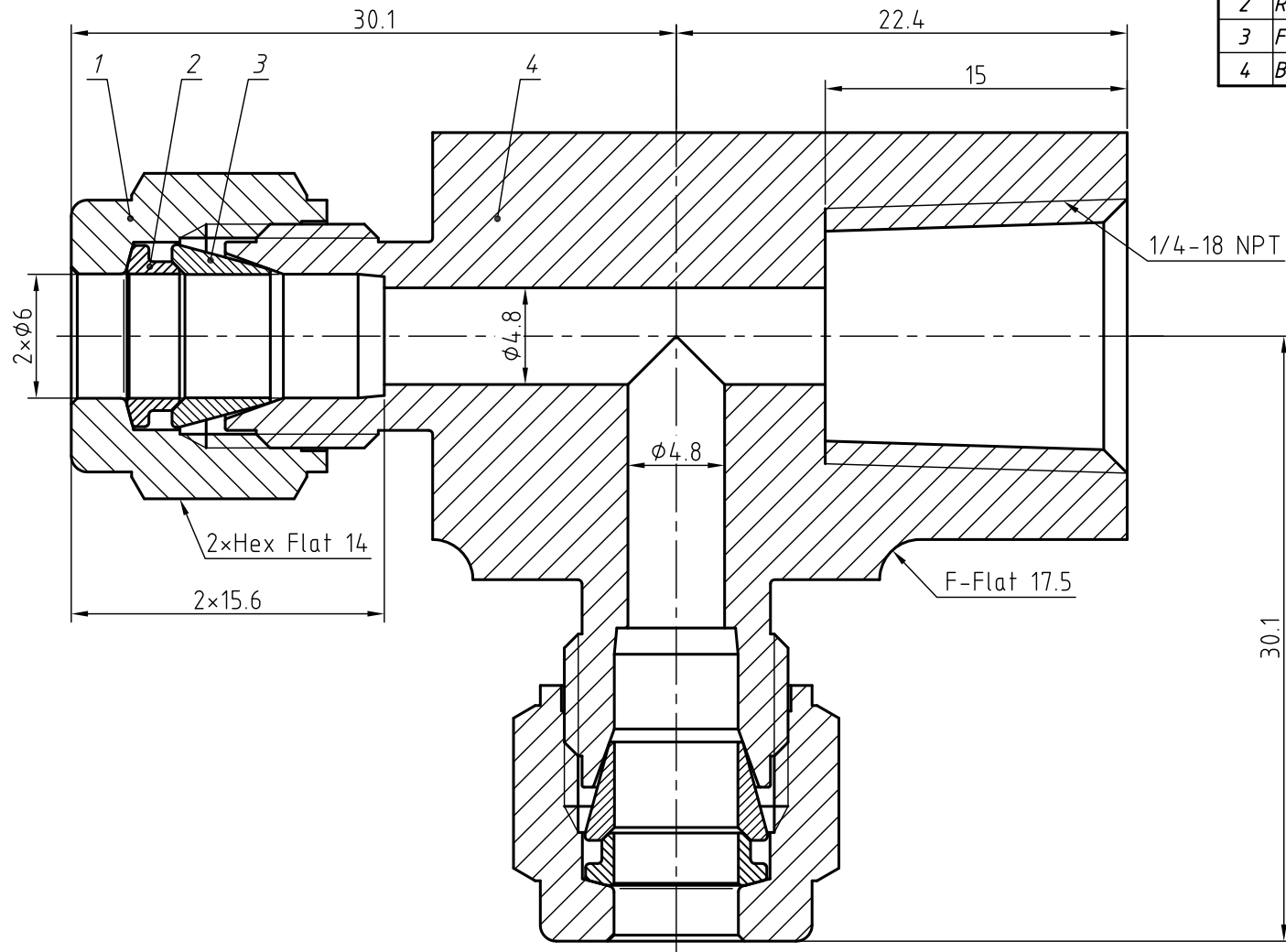
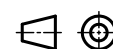


Item	Component	Material
1	Nut Hex	316SS/ASTM A276
2	Rear Ferrules	316SS/ASTM A276
3	Front Ferrules	316SS/ASTM A276
4	Body	F316SS/ASTM A182



					FITOK Valves and Fittings
REV.	DATE	DRAWN	CHECKED		
		NAME	DATE	FITTINGS	
DRAWN					
CHECKED				DO NOT SCALE DRAWING	
APPROVED					
				REV. 1	