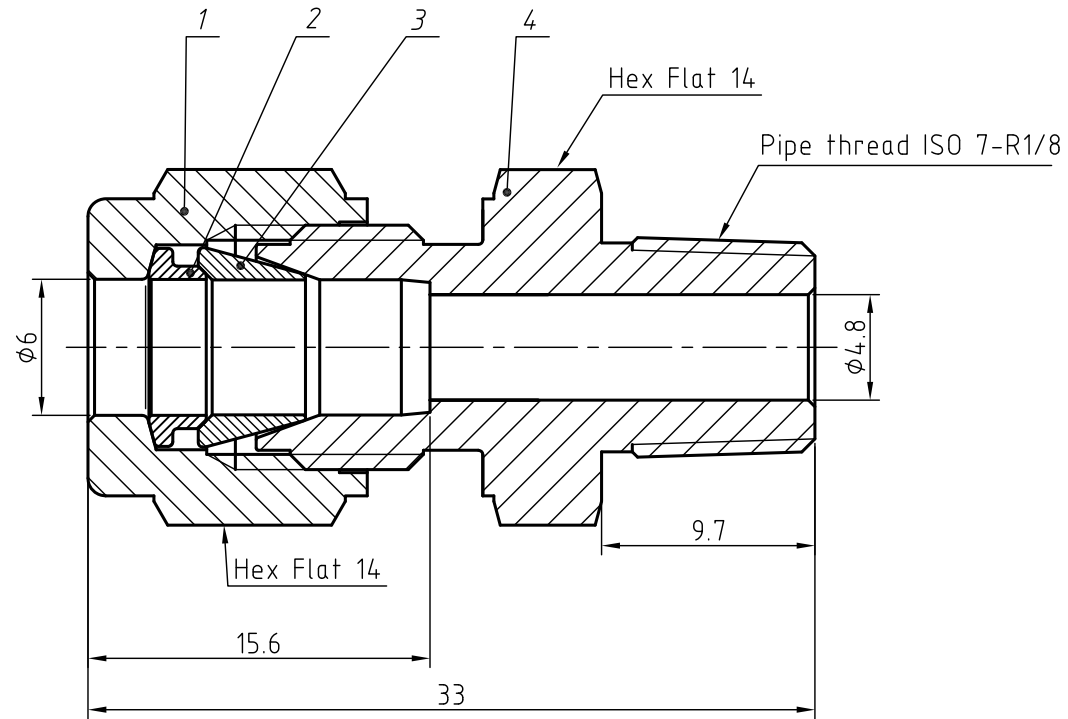



Item	Component	Material
1	Nut Hex	316SS/ASTM A276
2	Rear Ferrules	316SS/ASTM A276
3	Front Ferrules	316SS/ASTM A276
4	Body	316SS/ASTM A276



NOTE: Dimensions for reference only.

						FITOK Valves and Fittings		
REV.	DATE	DRAWN	CHECKED	UNLESS OTHERWISE SPECIFIED ALL DIMENSIONS ARE IN MILLIMETER				
		NAME	DATE	FITTINGS				
DRAWN				SS-CM-ML6-RT2				REV.
CHECKED								1
APPROVED				DO NOT SCALE DRAWING				SHEET 1 OF 1