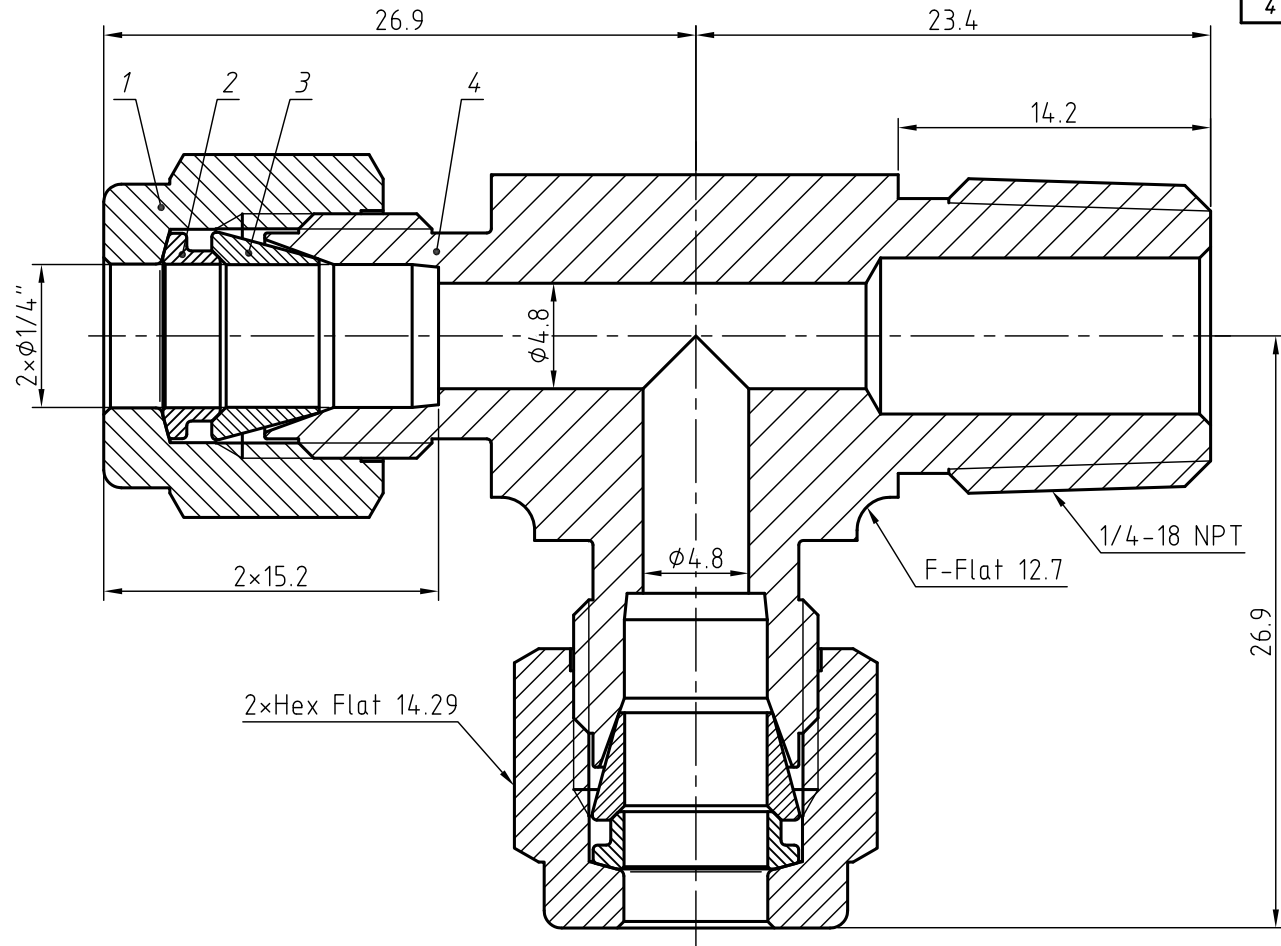


Item	Component	Material
1	Nut Hex	316SS/ASTM A276
2	Rear Ferrules	316SS/ASTM A276
3	Front Ferrules	316SS/ASTM A276
4	Body	F316SS/ASTM A182



						<b>FITOK</b> Valves and Fittings	
REV.	DATE	DRAWN	CHECKED	UNLESS OTHERWISE SPECIFIED ALL DIMENSIONS ARE IN MILLIMETER			
		NAME		DATE		FITTINGS	
DRAWN		SS-TMT-FL4-NS4				REV.	
CHECKED						1	
APPROVED		DO NOT SCALE DRAWING				SHEET 1 OF 1	