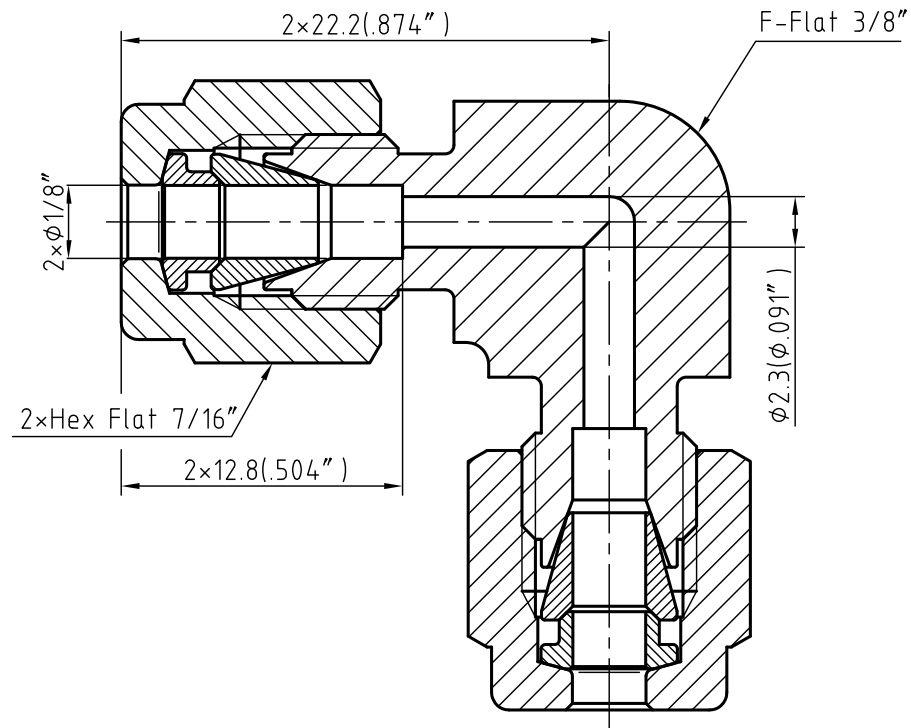



Item	Component	Material
1	Body	316



NOTE: Dimensions for reference only.

						FITOK		
REV.	DATE	DRAWN	CHECKED	<small>UNLESS OTHERWISE SPECIFIED ALL DIMENSIONS ARE IN MILLIMETER</small>		Fitting		
		NAME	DATE					
DRAWN				SS-LU-FL2				REV.
CHECKED								3
APPROVED				DO NOT SCALE DRAWING				SHEET 1 OF 1