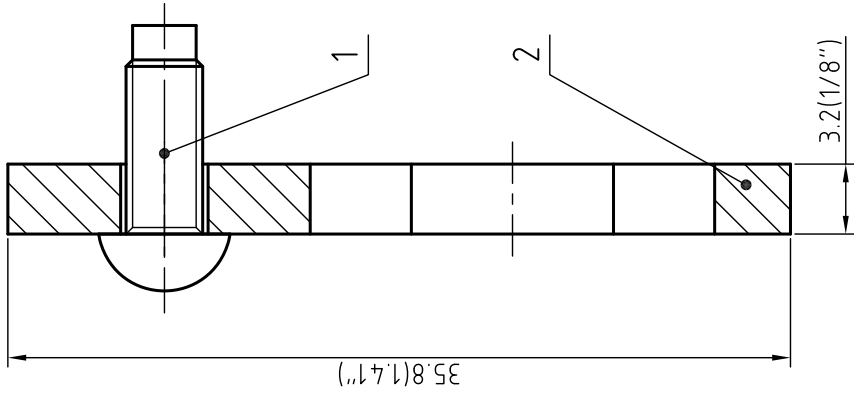
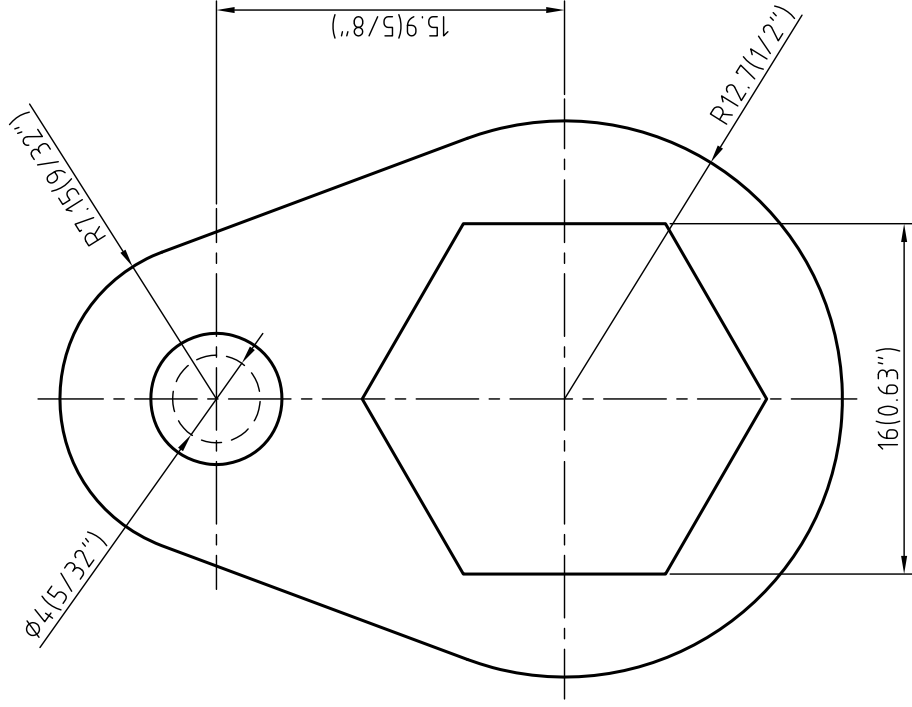


Item	Component	Material
1	"U" drive screw	Stainless steel
2	Body	316SS/ASTM A240



NOTE: 1, Dimensions for reference only.

2, "U" drive screw size :6-3/8.

3, Drill Number:31.

4, Drill Hole Dia:0.12".

		UNLESS OTHERWISE SPECIFIED ALL DIMENSIONS ARE IN MILLIMETER		DRAWN		CHECKED	
				DATE		DATE	
FITOK Valves and Fittings		Bulkhead Retainers		SS-BR-4		REV. 1	
DO NOT SCALE DRAWING		SHEET 1 OF 1		APPROVED			