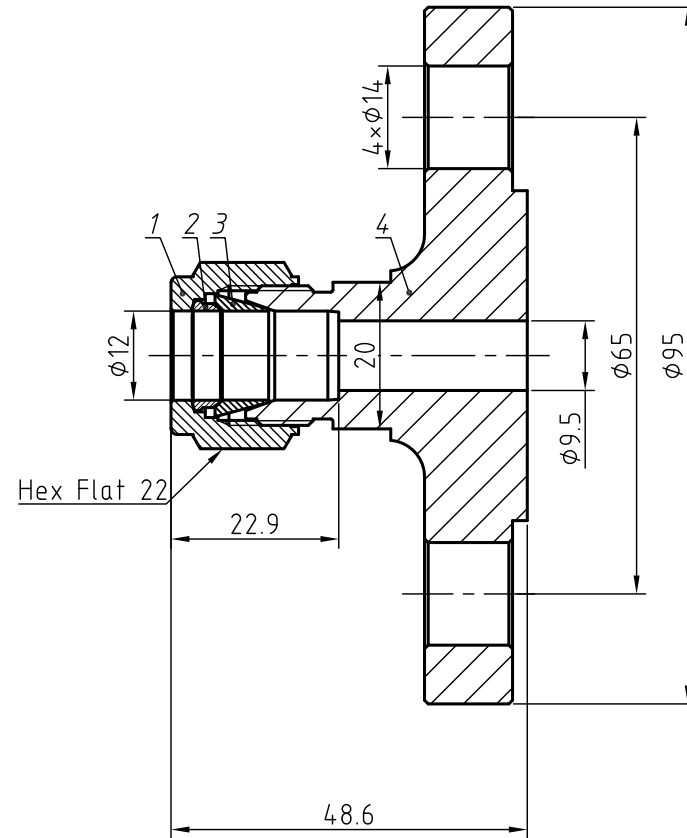


Item	Component	Material
1	Nut Hex	316SS/ASTM A276
2	Rear Ferrules	316SS/ASTM A276
3	Front Ferrules	316SS/ASTM A276
4	Body	F316SS/ASTM A182



NOTE:

1. End connection according as DIN 2501/2526 DN15 PN40(40bar) Form B Flange;
2. Dimensions for reference only.

						FITOK Valves and Fittings		
REV.	DATE	DRAWN	CHECKED	UNLESS OTHERWISE SPECIFIED ALL DIMENSIONS ARE IN MILLIMETER				
		NAME		DATE		FITTINGS		
DRAWN				SS-FA-ML12-F15-40B1				REV.
CHECKED								1
APPROVED				DO NOT SCALE DRAWING				SHEET 1 OF 1