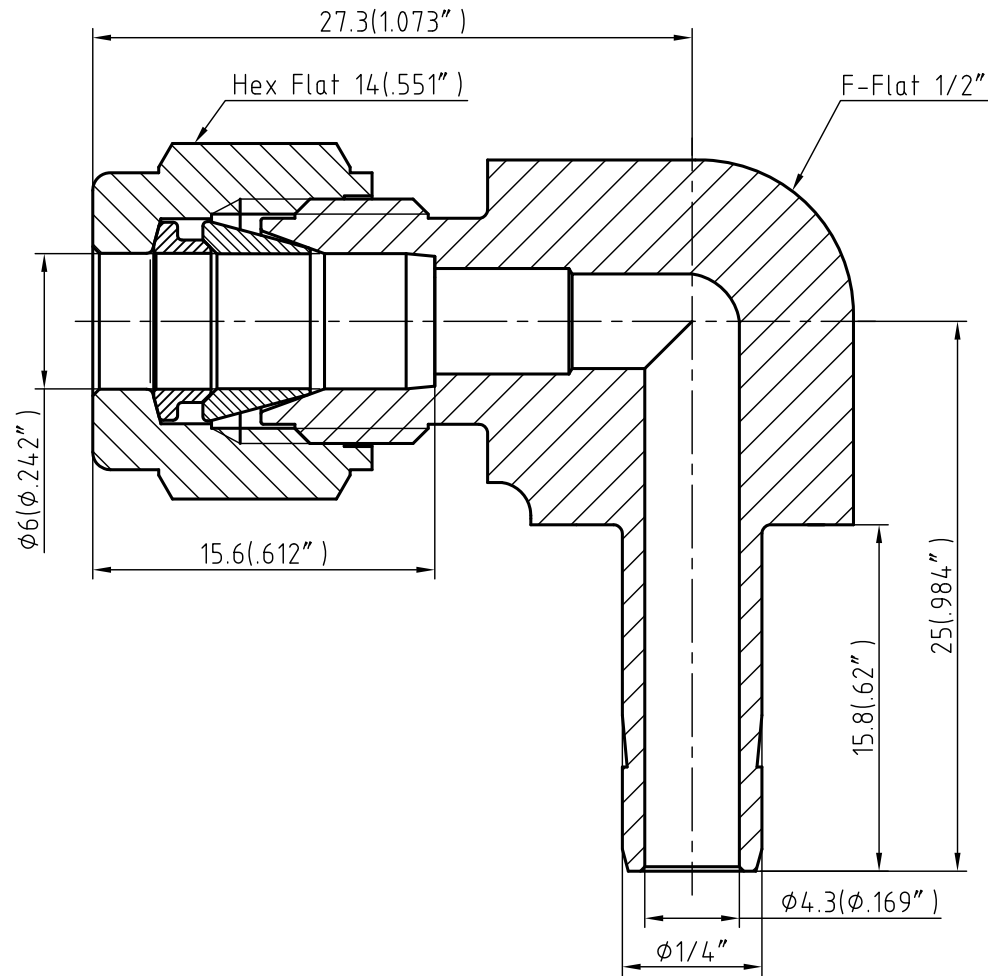



Item	Component	Material
1	Body	316



NOTE: Dimensions for reference only.

						FITOK	
REV.	DATE	DRAWN	CHECKED	UNLESS OTHERWISE SPECIFIED ALL DIMENSIONS ARE IN MILLIMETER			
		NAME	DATE	Fitting			
DRAWN				SS-LR-ML6-FT4			
CHECKED				REV. 1			
APPROVED				DO NOT SCALE DRAWING SHEET 1 OF 1			