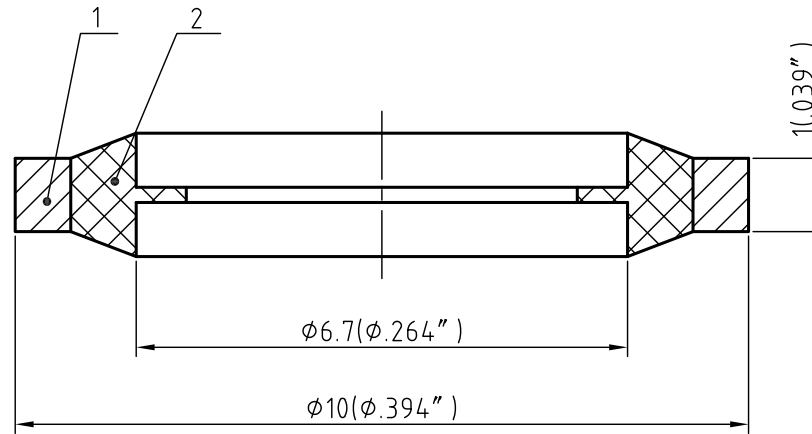


Item	Component	Material
1	Body	316
2	Core tube	FKM



NOTE: Dimensions for reference only.

					FITOK
REV.	DATE	DRAWN	CHECKED		
		NAME	DATE		Gasket
DRAWN				SSF-RS-M6	REV. 1
CHECKED				DO NOT SCALE DRAWING	SHEET 1 OF 1
APPROVED					