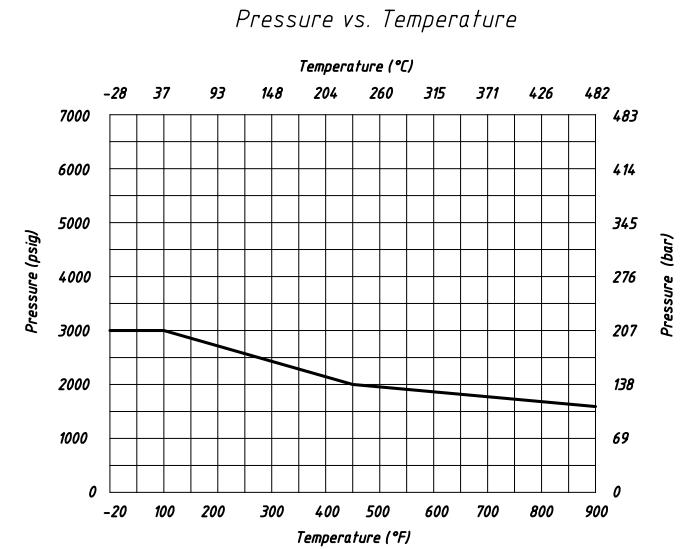
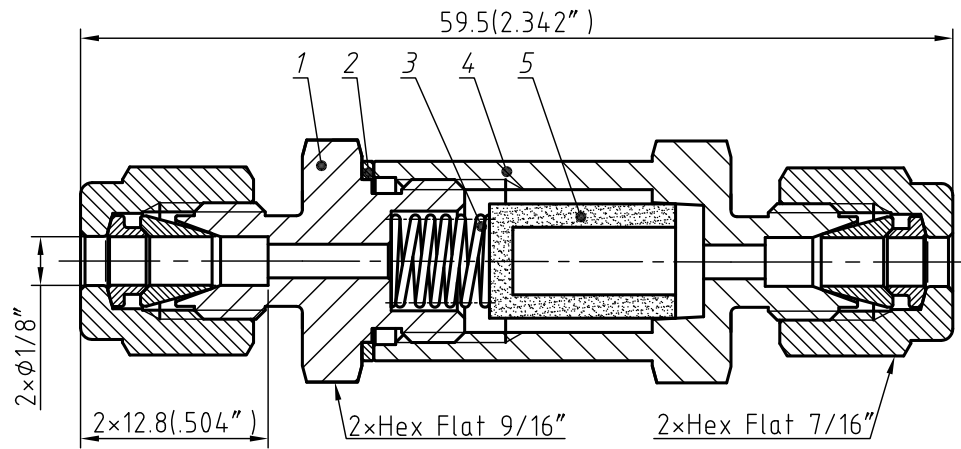


	Component	Material
1	Bonnet	316
2	Gasket	316
3	Spring	302
4	Body	316
5	Element	Sintered 316



NOTES:

- 1. Dimensions for reference only;
- 2. Element nominal pore size 0.5µm;

Valve Features	
Maximum working pressure	3000psig(207bar)
Working temperature	-20~900°F(-28~482°C)
Orifice	0.09in.(2.4mm)
Filtration Area	0.55in. ² (350mm ²)

REV.	DATE	DRAWN	CHECKED
		NAME	DATE

UNLESS OTHERWISE SPECIFIED ALL DIMENSIONS ARE IN MILLIMETER

FISS-FL2-05

DO NOT SCALE DRAWING

FITOK

Filter

REV.	1
SHEET 1 OF 1	