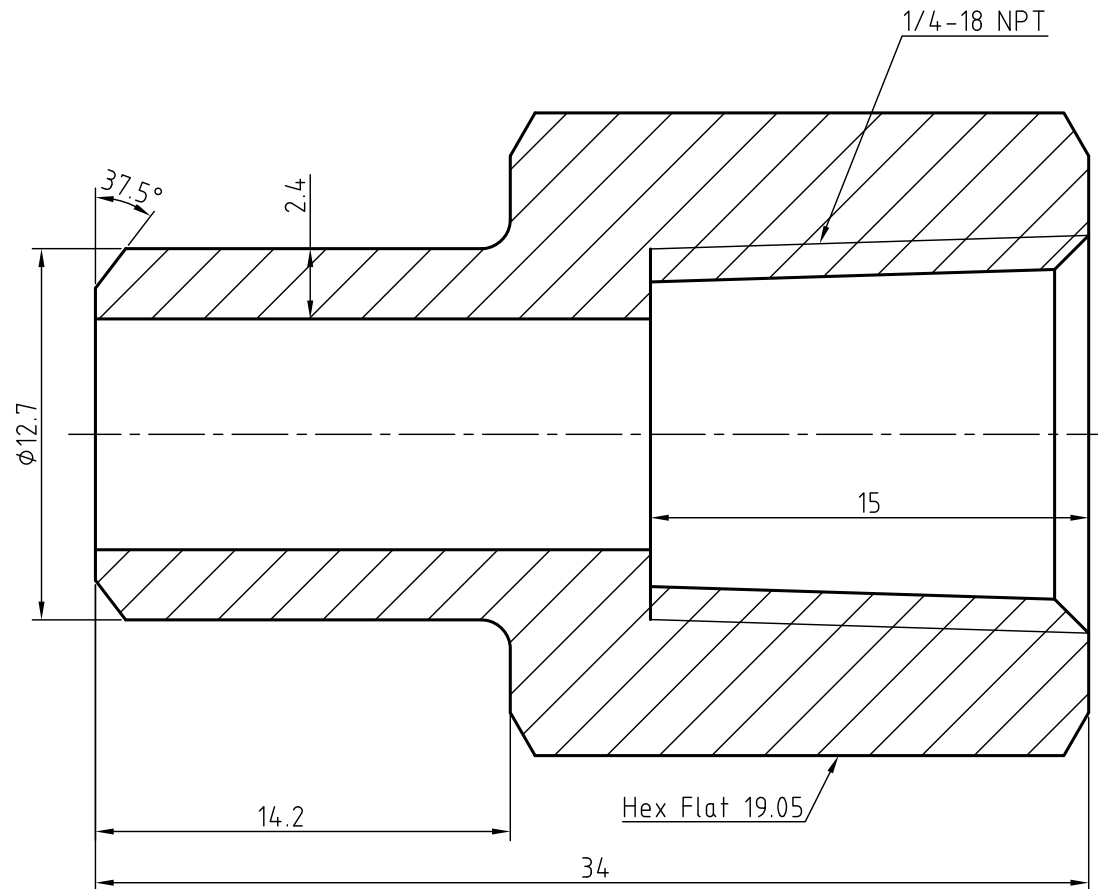



Item	Component	Material
1	Body	316SS/ASTM A276



NOTE: Dimensions for reference only.

REV.	DATE	DRAWN	CHECKED	UNLESS OTHERWISE SPECIFIED ALL DIMENSIONS ARE IN MILLIMETER		 <b>FITOK</b> Valves and Fittings
		NAME	DATE	FITTINGS		
				SS-WF-TB8-NS4		REV.
						1
APPROVED				DO NOT SCALE DRAWING		SHEET 1 OF 1