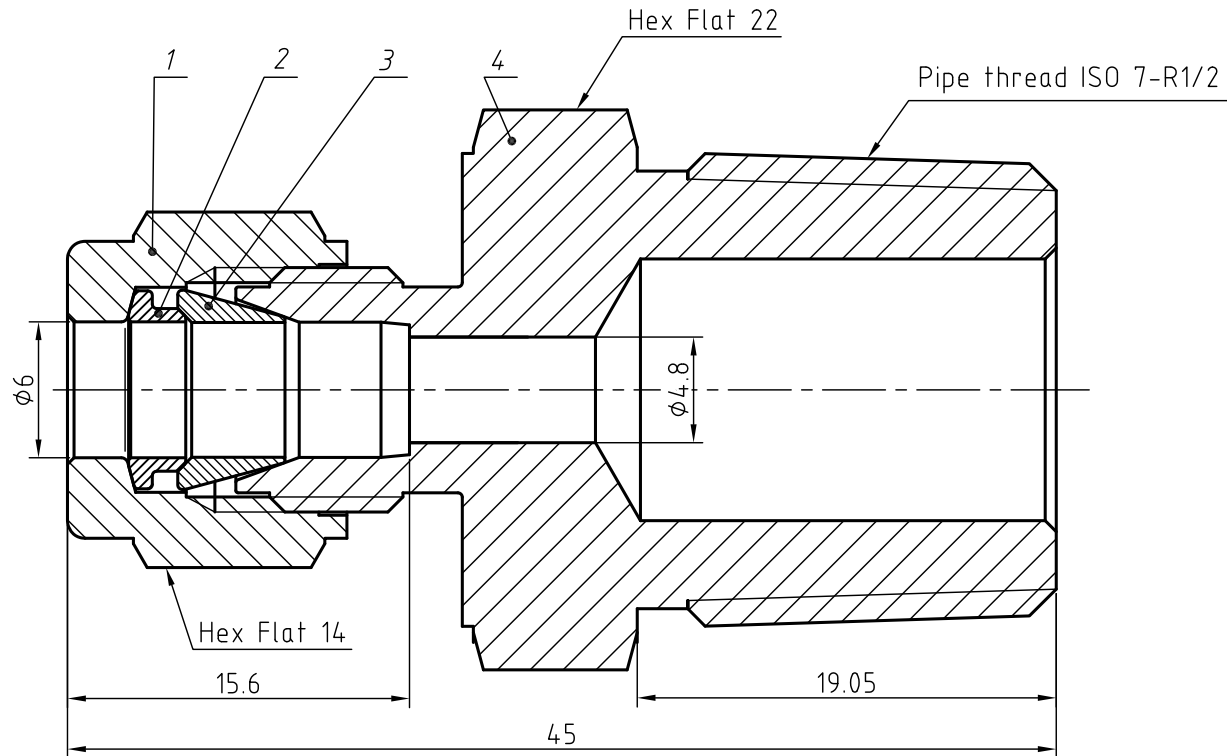



Item	Component	Material
1	Nut Hex	316SS/ASTM A276
2	Rear Ferrules	316SS/ASTM A276
3	Front Ferrules	316SS/ASTM A276
4	Body	316SS/ASTM A276



NOTE: Dimensions for reference only.

						FITOK Valves and Fittings	
				<small>UNLESS OTHERWISE SPECIFIED ALL DIMENSIONS ARE IN MILLIMETER</small>		FITTINGS	
REV.	DATE	DRAWN	CHECKED			SS-CM-ML6-RT8	
		NAME	DATE				
DRAWN						DO NOT SCALE DRAWING	
CHECKED							
APPROVED						SHEET 1 OF 1	