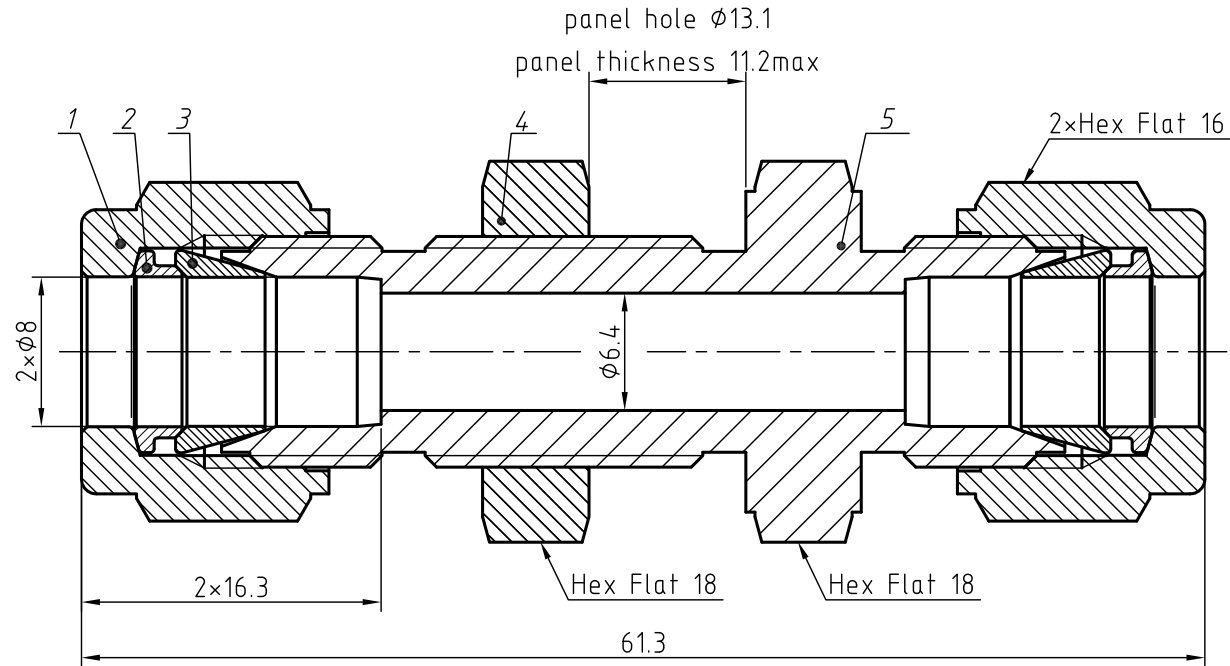




Item	Component	Material
1	Nut Hex	316SS/ASTM A276
2	Rear Ferrules	316SS/ASTM A276
3	Front Ferrules	316SS/ASTM A276
4	Panel Nut	316SS/ASTM A276
5	Body	316SS/ASTM A276



NOTE: Dimensions for reference only.

					
REV.	DATE	DRAWN	CHECKED		
		NAME	DATE	FITTINGS	
DRAWN				SS-BU-ML8	
CHECKED				REV. 1	
APPROVED				SHEET 1 OF 1	