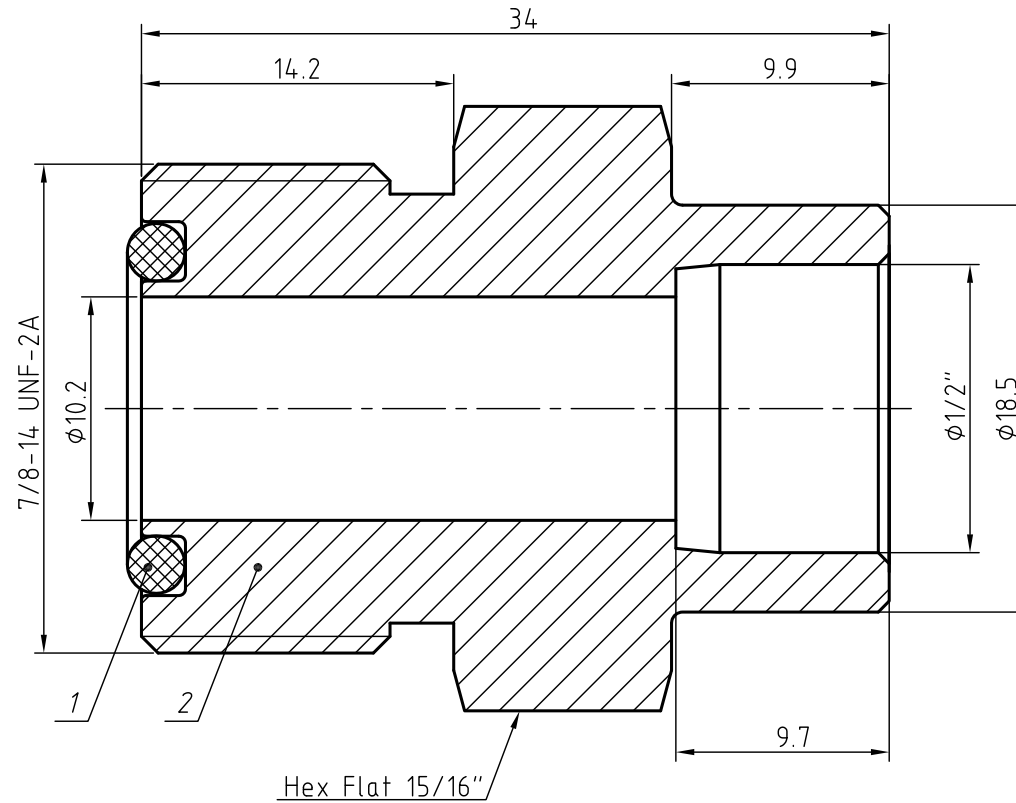



Item	Component	Material
1	O-ring	FKM
2	Body	316



NOTE: Dimensions for reference only.

						FITOK		
REV.	DATE	DRAWN	CHECKED	UNLESS OTHERWISE SPECIFIED ALL DIMENSIONS ARE IN MILLIMETER				
		NAME		DATE		Fitting		
DRAWN				SS-CW-F08-TS8				REV.
CHECKED								1
APPROVED				DO NOT SCALE DRAWING				SHEET 1 OF 1