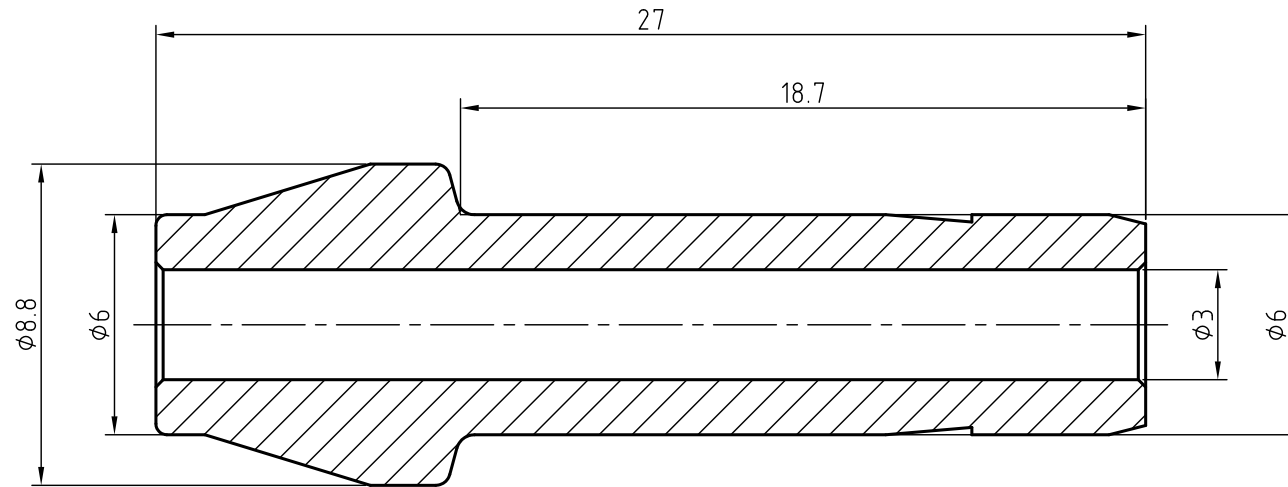



Item	Component	Material
1	Body	316SS/ASTM A276



NOTE: Dimensions for reference only.

REV.	DATE	DRAWN	CHECKED	UNLESS OTHERWISE SPECIFIED ALL DIMENSIONS ARE IN MILLIMETER		
		NAME	DATE			
				SS-P-ML6		REV. 1
				DO NOT SCALE DRAWING		SHEET 1 OF 1