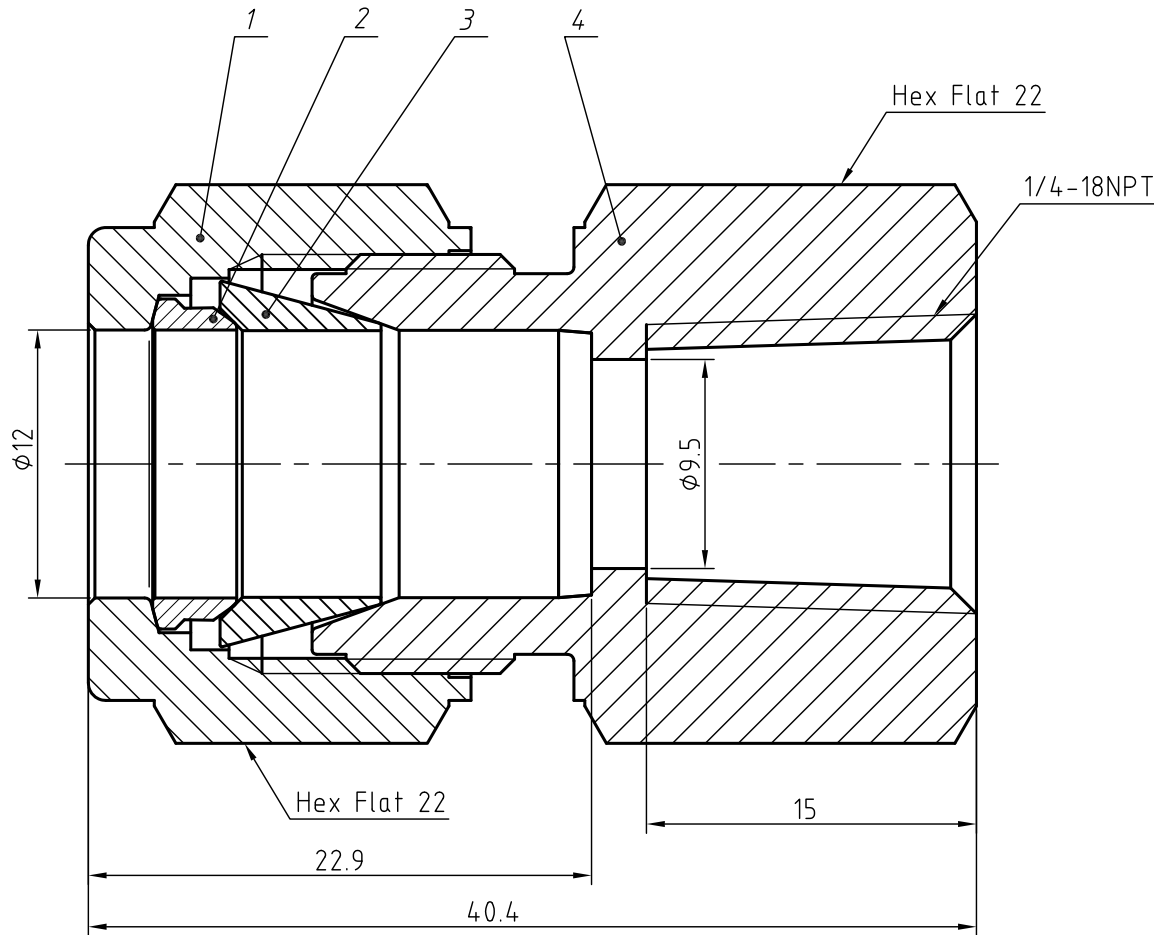


Item	Component	Material
1	Nut Hex	316SS/ASTM A276
2	Rear Ferrules	316SS/ASTM A276
3	Front Ferrules	316SS/ASTM A276
4	Body	316SS/ASTM A276



NOTE: Dimensions for reference only.

						<b>FITOK</b> Valves and Fittings	
REV.	DATE	DRAWN	CHECKED	UNLESS OTHERWISE SPECIFIED ALL DIMENSIONS ARE IN MILLIMETER			
		NAME		DATE		FITTINGS	
DRAWN		SS-CF-ML12-NS4				REV.	
CHECKED						1	
APPROVED						SHEET 1 OF 1	