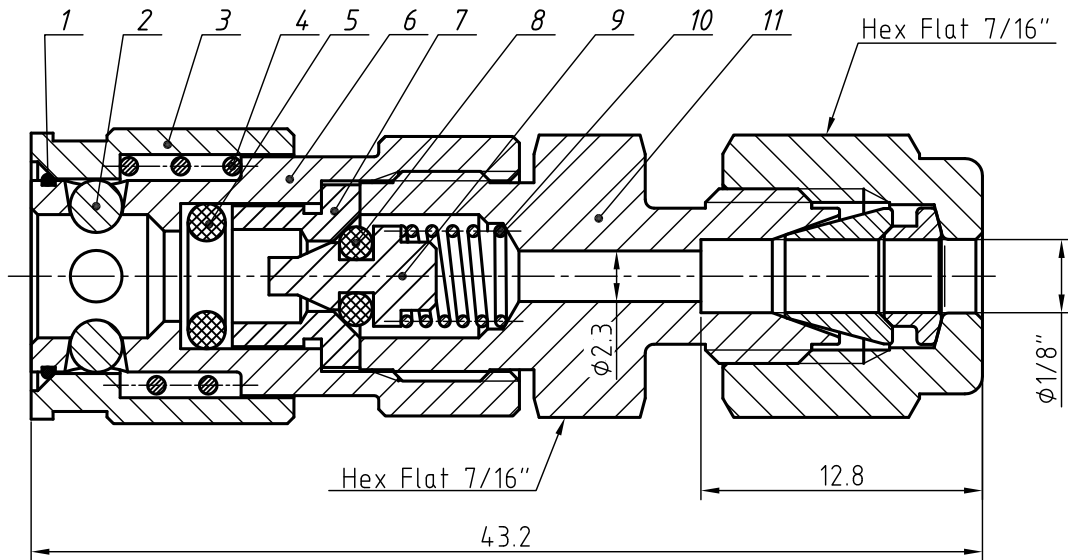




Item	Component	Material
1	Snap rings	316
2	Steel ball	440C
3	Body sleeve	316L
4	Springs	316
5	O-rings	FKM
6	Housing	316L
7	Insert	316L
8	O-rings	FKM
9	Valve head	316
10	Springs	316
11	Body	316



**NOTES:**

1. Dimensions for reference only.

2. Body with valve shuts off when uncoupled.

						
REV.	DATE	DRAWN	CHECKED			UNLESS OTHERWISE SPECIFIED ALL DIMENSIONS ARE IN MILLIMETER
		NAME	DATE			
DRAWN					SS-QM-FL2-B	REV.
CHECKED						1
APPROVED					DO NOT SCALE DRAWING	SHEET 1 OF 1