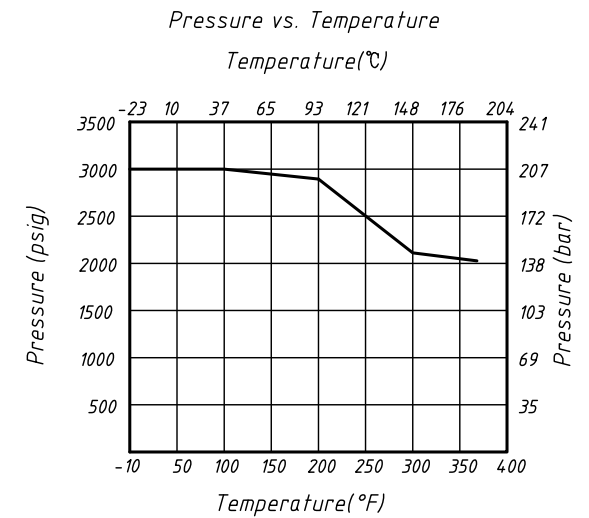
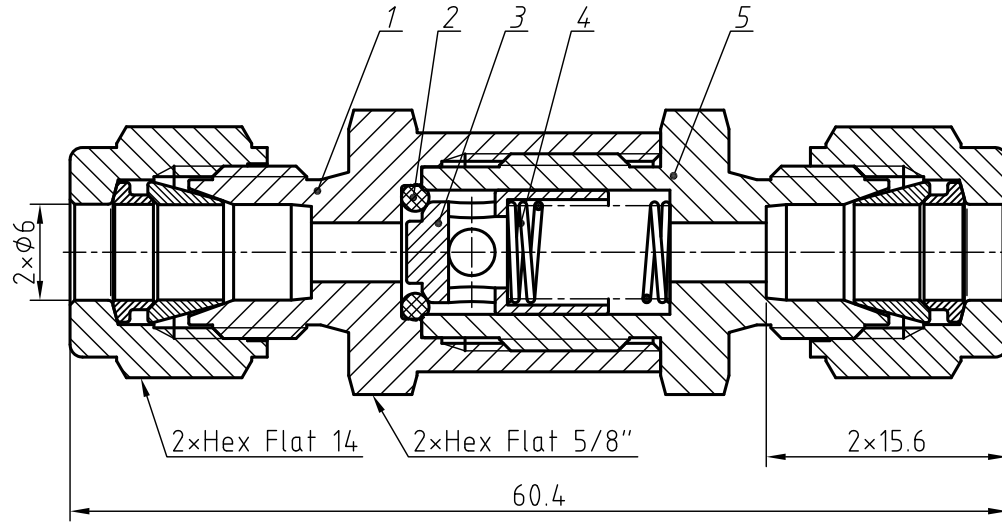



Item	Component	Material
1	Inlet body	316
2	O-ring	FKM
3	Poppet	316
4	Spring	302
5	Outlet body	316



Valve Features	
Maximum working pressure	3000psig(207bar)
Working temperature	-10~375°F(-23~190°C)
Nominal Cracking pressure	10psig(0.68bar)
Orifice	0.15in.(3.8mm)
Cv	0.47

NOTE: Dimensions for reference only.

REV.	DATE	DRAWN	CHECKED	UNLESS OTHERWISE SPECIFIED ALL DIMENSIONS ARE IN MILLIMETER	 FITOK
		NAME	DATE		
DRAWN				CVSS-ML6-3	REV.
CHECKED					1
APPROVED				DO NOT SCALE DRAWING	SHEET 1 OF 1