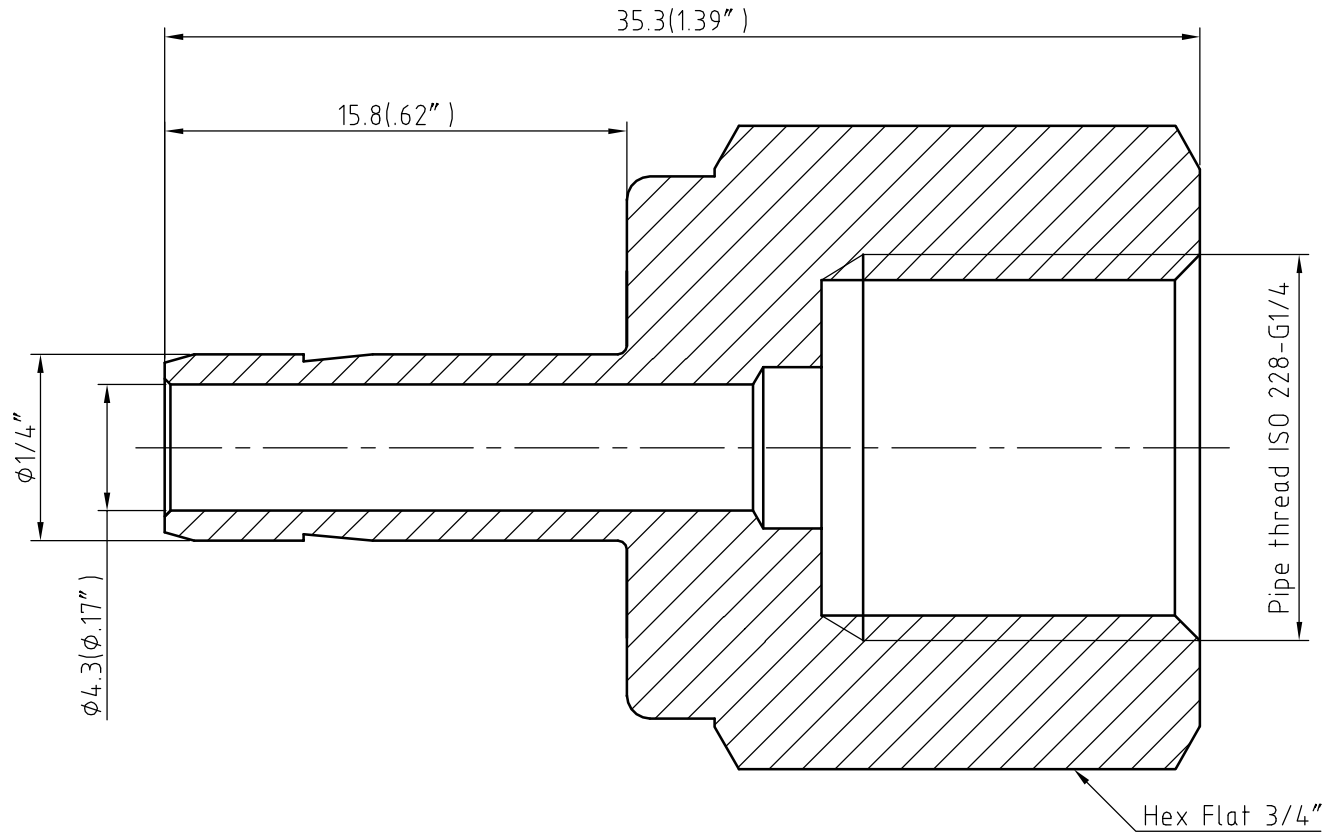
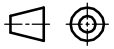


Item	Component	Material
1	Body	316



NOTE: Dimensions for reference only.

						<b>FITOK</b>	
REV.	DATE	DRAWN	CHECKED	<small>UNLESS OTHERWISE SPECIFIED ALL DIMENSIONS ARE IN MILLIMETER</small>		Fitting	
		NAME	DATE				
DRAWN				SS-AF-FT4-RG4			
CHECKED				DO NOT SCALE DRAWING			
APPROVED				SHEET 1 OF 1			