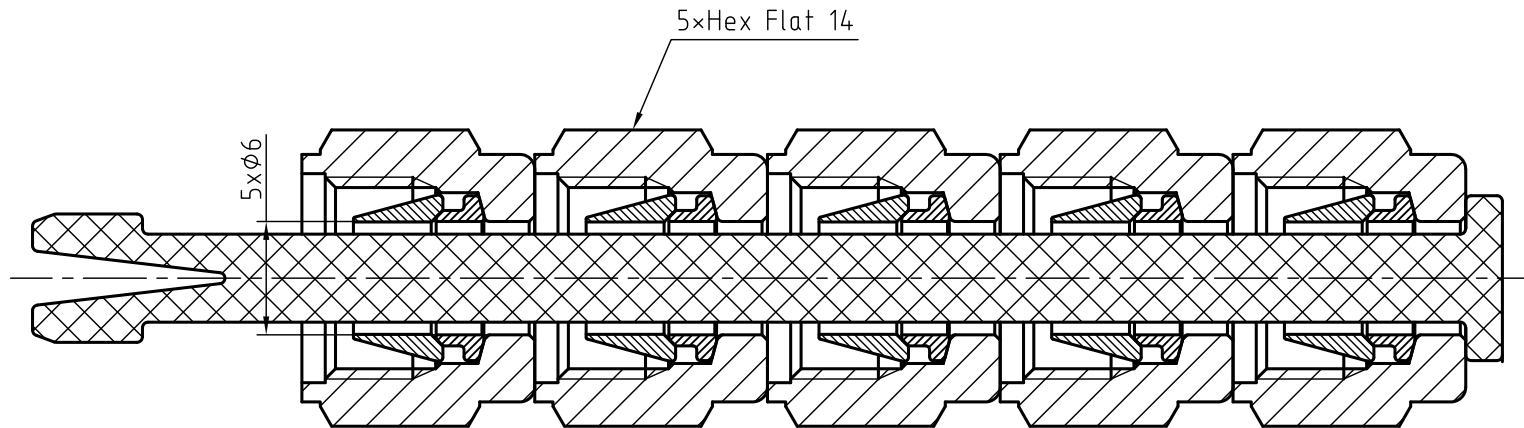



Item	Component	Material
1	Support Stem	PP



NOTE: Dimensions for reference only.

					FITOK
REV.	DATE	DRAWN	CHECKED		
		NAME	DATE		Nut-Ferrule Set
DRAWN					SS-NFS-ML6
CHECKED					REV. 1
APPROVED				DO NOT SCALE DRAWING	SHEET 1 OF 1