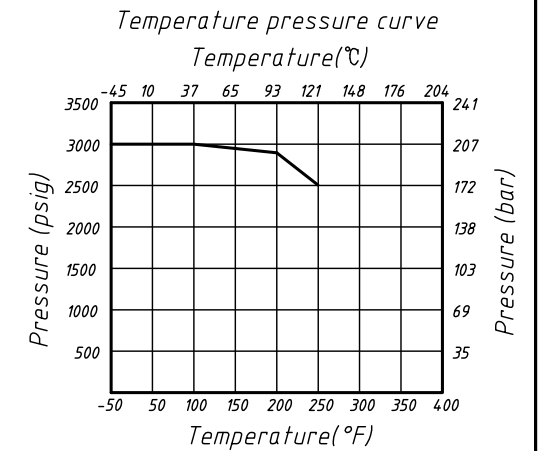
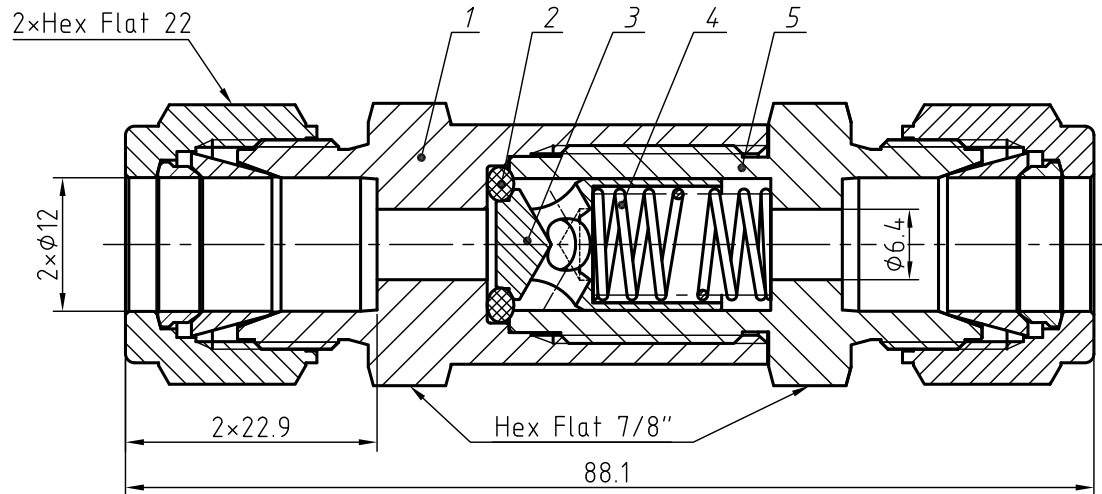


Item	Component	Material
1	Inlet body	316
2	O-ring	EPDM
3	Poppet	316
4	Spring	302
5	Outlet body	316



Technical Data	
Maximum working pressure	3000psig(207bar)
Working temperature range	-50~248°F(-45~120°C)
Nominal cracking pressure	1psig(0.06bar)
Cracking pressure range	0~4psig(0~0.28bar)
Cv	1.68

NOTE: .Dimensions for reference only.

						<b>FITOK</b>	
				UNLESS OTHERWISE SPECIFIED ALL DIMENSIONS ARE IN MILLIMETER		Check Valve	
REV.	DATE	DRAWN	CHECKED	CVSS-ML12-E-2			
		NAME	DATE				
DRAWN							
CHECKED				REV. 1			
APPROVED				DO NOT SCALE DRAWING		SHEET 1 OF 1	