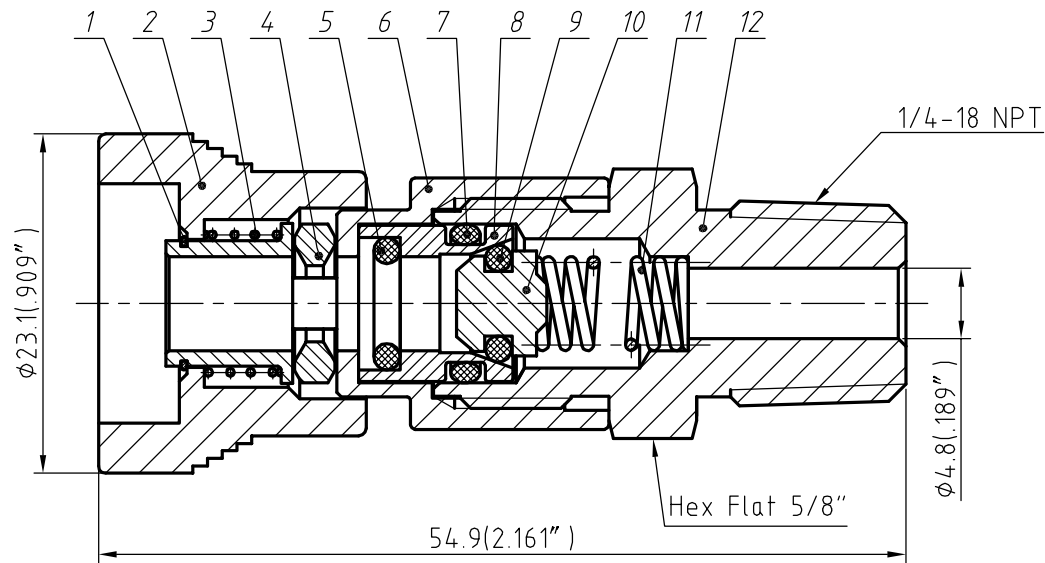


Item	Component	Material
1	Snap rings	Stainless Steel
2	Body sleeve	316L
3	Springs	316
4	Locking dogs	Xylan®-coated 316 SS powdered metal
5	O-rings	FKM
6	Housing	316L
7	O-rings	FKM
8	Sliding sleeve	316
9	O-rings	FKM
10	Plug	316
11	Springs	316
12	Body	316



NOTES:

1. Dimensions for reference only.

2. Body with valve shuts off when uncoupled.

						FITOK		
REV.	DATE	DRAWN	CHECKED	UNLESS OTHERWISE SPECIFIED ALL DIMENSIONS ARE IN MILLIMETER				
		NAME		DATE		Quick-connect (Body)		
DRAWN				SS-QC4-NS4-B				REV.
CHECKED								2
APPROVED				DO NOT SCALE DRAWING				SHEET 1 OF 1