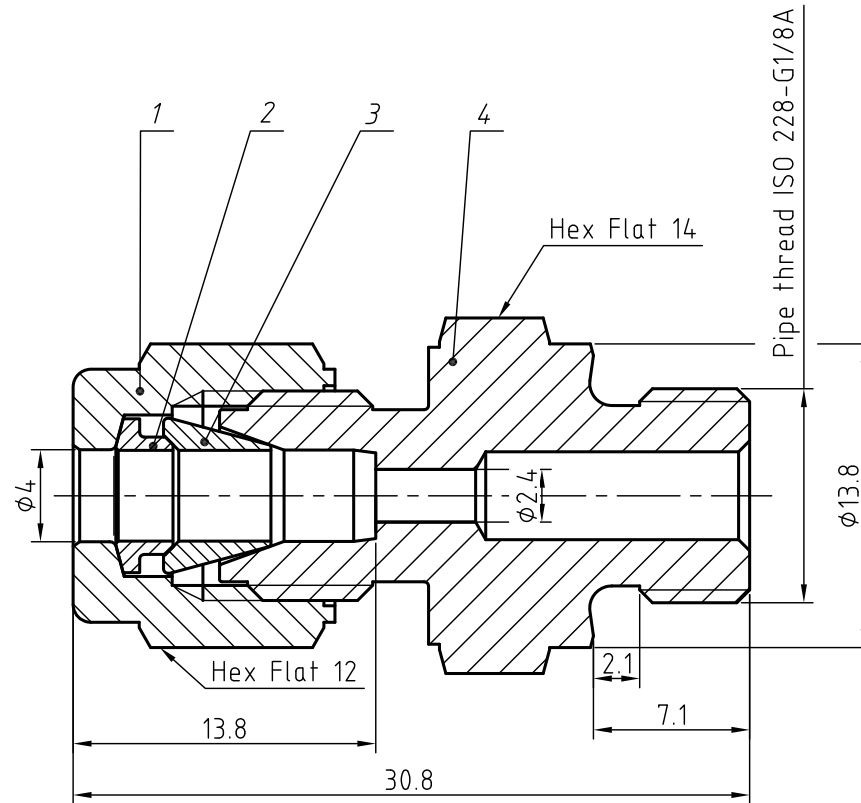


Item	Component	Material
1	Nut Hex	316SS/ASTM A276
2	Rear Ferrules	316SS/ASTM A276
3	Front Ferrules	316SS/ASTM A276
4	Body	316SS/ASTM A276



NOTE: Dimensions for reference only.

					FITOK Valves and Fittings
REV.	DATE	DRAWN	CHECKED		
		NAME	DATE		
DRAWN				SS-CM-ML4-RP2	
CHECKED					REV. 1
APPROVED				DO NOT SCALE DRAWING	SHEET 1 OF 1