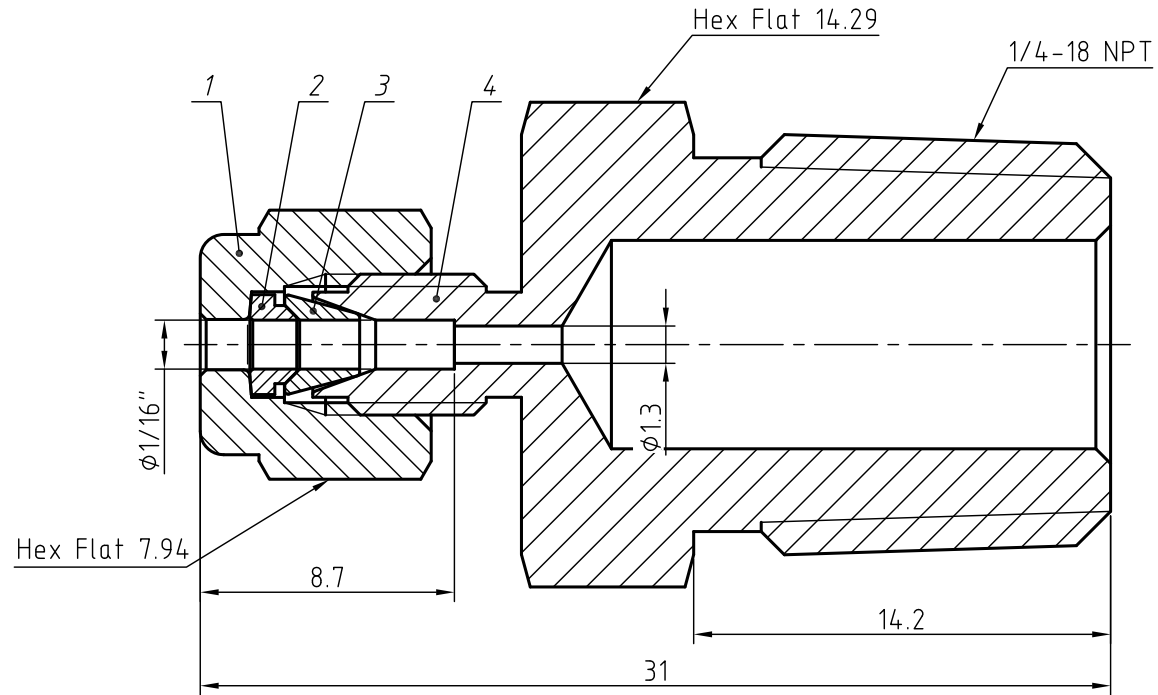



Item	Component	Material
1	Nut Hex	316SS/ASTM A276
2	Rear Ferrules	316SS/ASTM A276
3	Front Ferrules	316SS/ASTM A276
4	Body	316SS/ASTM A276



NOTE: Dimensions for reference only.

REV.	DATE	DRAWN	CHECKED	UNLESS OTHERWISE SPECIFIED ALL DIMENSIONS ARE IN MILLIMETER		 <b>FITOK</b> Valves and Fittings
		NAME	DATE	FITTINGS		
				SS-CM-FL 1-NS4		REV. 1
DRAWN				DO NOT SCALE DRAWING		SHEET 1 OF 1
CHECKED						
APPROVED						