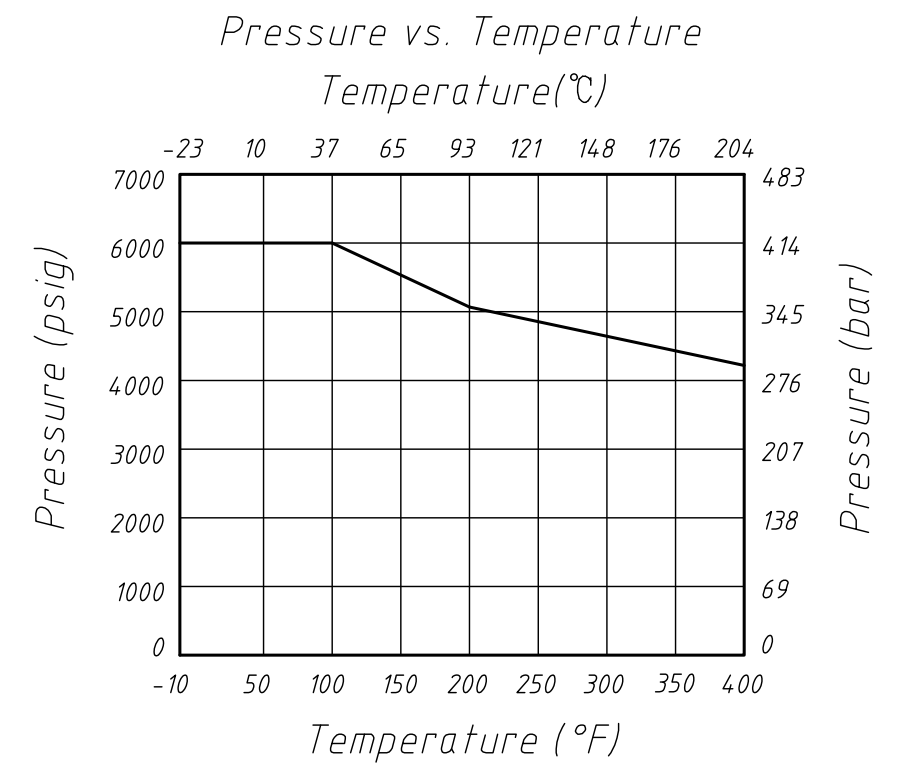
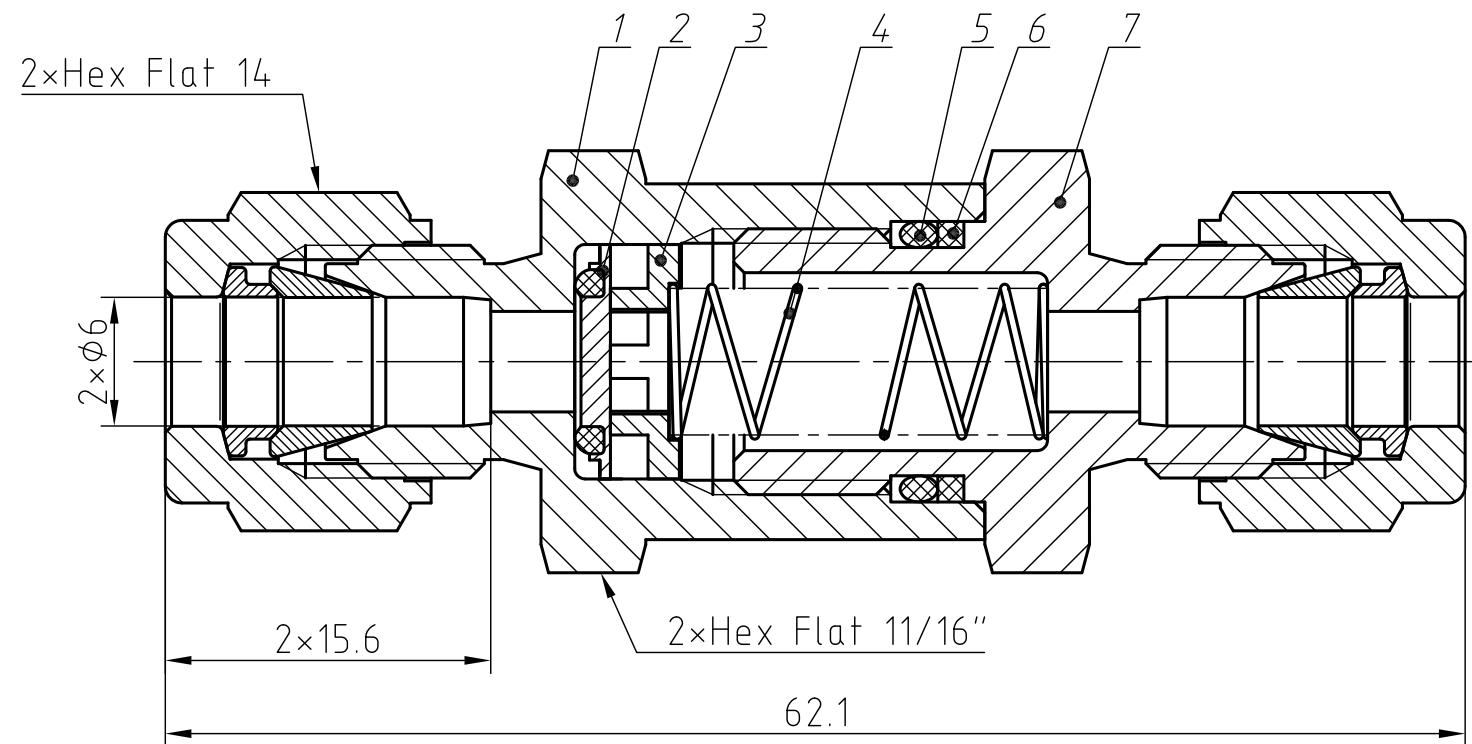


Item	Component	Material
1	Inlet body	316
2	Poppet	Fluorocarbon FKM-bonded 316
3	Poppet stop	316
4	Spring	302
5	O-ring	Fluorocarbon FKM
6	Backup ring	PTFE
7	Outlet body	316



Valve Features	
Maximum working pressure	6000psig(414bar)
Working temperature	-10~400°F(-23~204°C)
Nominal Cracking pressure	1psig(0.07bar)
Orifice	0.19in.(4.8mm)
CV	0.67

NOTE: Dimensions for reference only.

						<b>FITOK</b>		
				<small>UNLESS OTHERWISE SPECIFIED ALL DIMENSIONS ARE IN MILLIMETER</small>		Check Valve		
REV.	DATE	DRAWN	CHECKED	CHSS-ML6-2				
		NAME	DATE					REV.
								1
DRAWN								
CHECKED								
APPROVED								
DO NOT SCALE DRAWING						SHEET 1 OF 1		