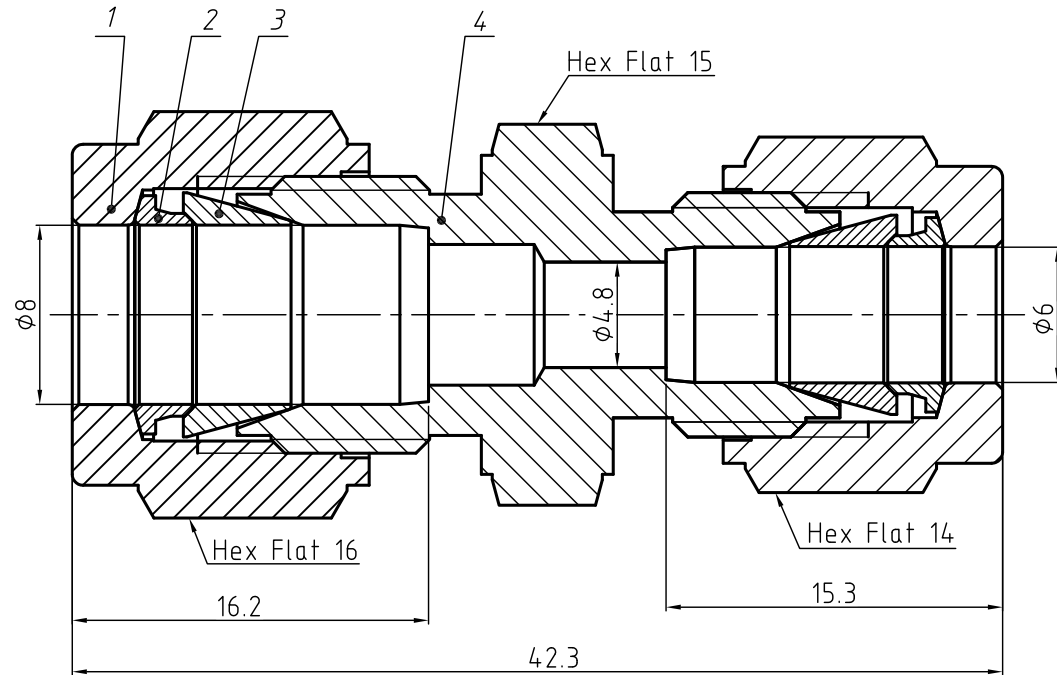


Item	Component	Material
1	Nut Hex	316SS/ASTM A276
2	Rear Ferrules	316SS/ASTM A276
3	Front Ferrules	316SS/ASTM A276
4	Body	316SS/ASTM A276



NOTE: Dimensions for reference only.

					FITOK Valves and Fittings
REV.	DATE	DRAWN	CHECKED		
		NAME	DATE	FITTINGS	
DRAWN				SS-U-ML8-ML6	
CHECKED				REV. 1	
APPROVED				SHEET 1 OF 1	
				DO NOT SCALE DRAWING	
FITOK Group					