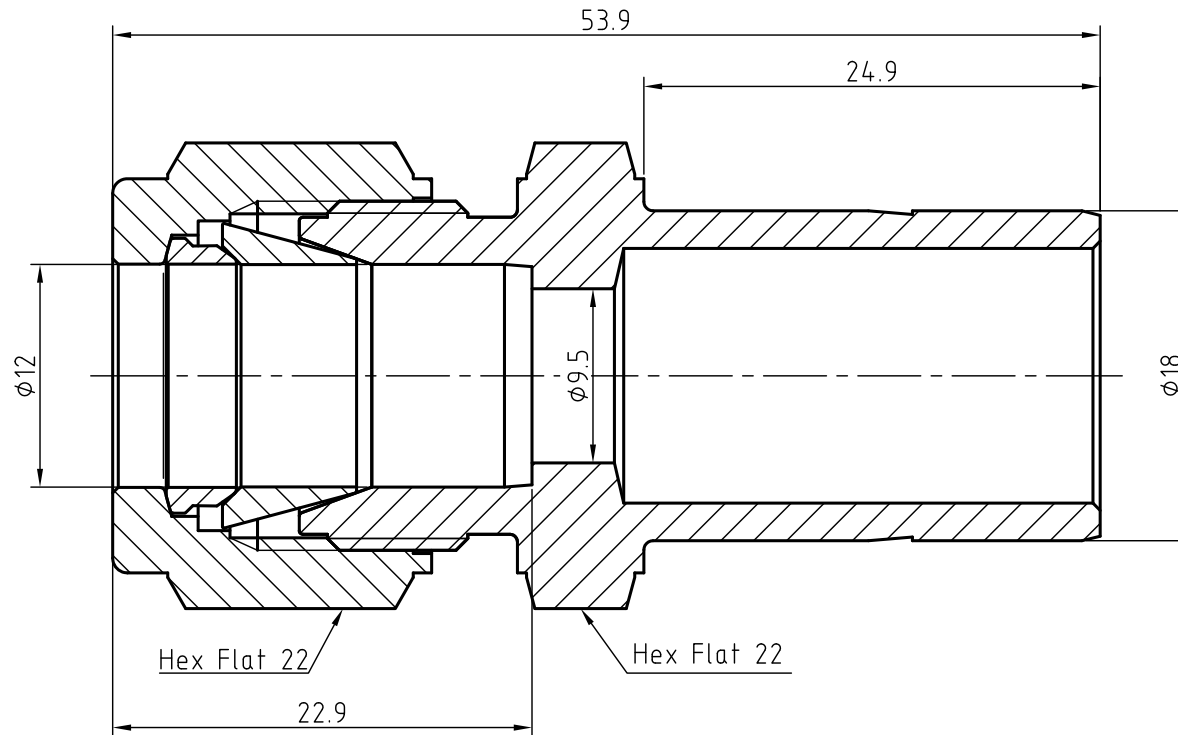




Item	Component	Material
1	Body	316



NOTE: Dimensions for reference only.

					
REV.	DATE	DRAWN	CHECKED		
		NAME	DATE	Fitting	
DRAWN				SS-R-ML 12-MT18	
CHECKED				REV. 1	
APPROVED				DO NOT SCALE DRAWING	SHEET 1 OF 1