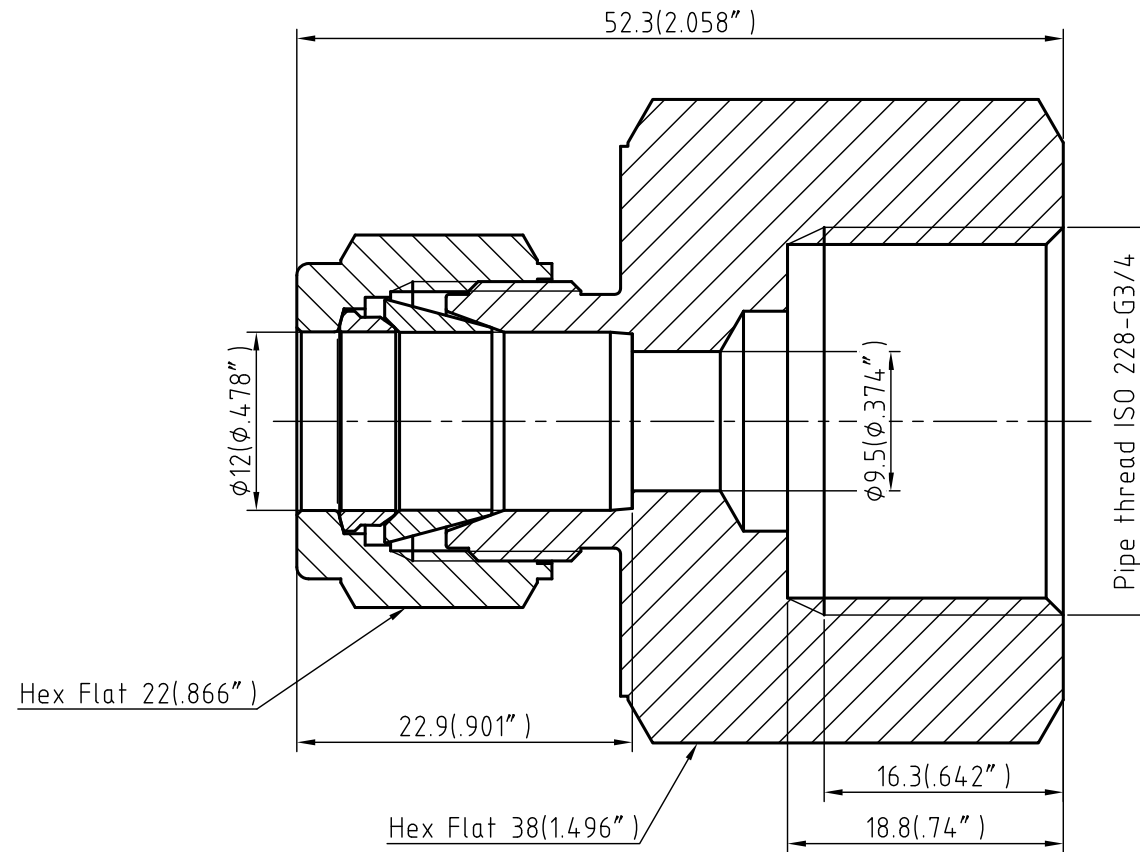


Item	Component	Material
1	Body	316



NOTE: Dimensions for reference only.

						FITOK	
REV.	DATE	DRAWN	CHECKED	UNLESS OTHERWISE SPECIFIED ALL DIMENSIONS ARE IN MILLIMETER			
		NAME		DATE		Fitting	
DRAWN		SS-CF-ML 12-RG12				REV.	
CHECKED						2	
APPROVED		DO NOT SCALE DRAWING				SHEET 1 OF 1	