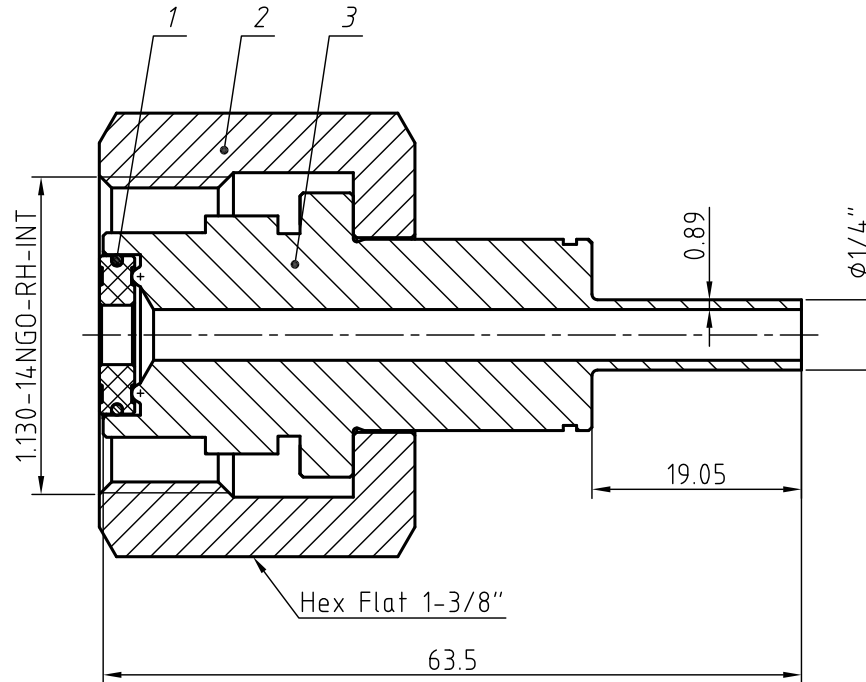



Item	Component	Material
1	Gasket	PCTFE
2	Nut	304
3	Nipple	316L



NOTE: Dimensions for reference only.

						FITOK	
REV.	DATE	DRAWN	CHECKED	UNLESS OTHERWISE SPECIFIED ALL DIMENSIONS ARE IN MILLIMETER			
		NAME		DATE		Cylinder Connections	
DRAWN						6L-C728-TB4-K	
CHECKED						REV. 1	
APPROVED						DO NOT SCALE DRAWING SHEET 1 OF 1	