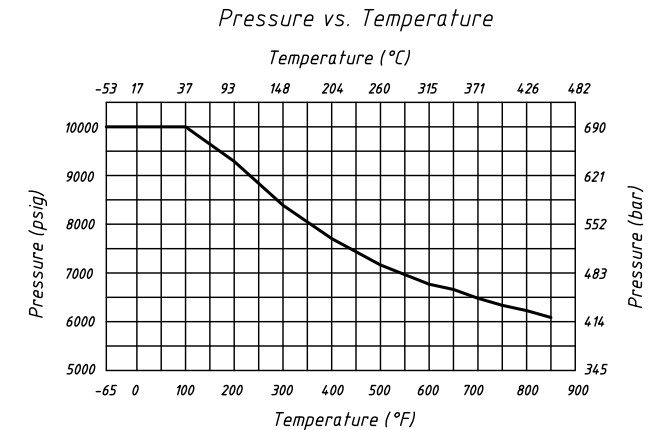
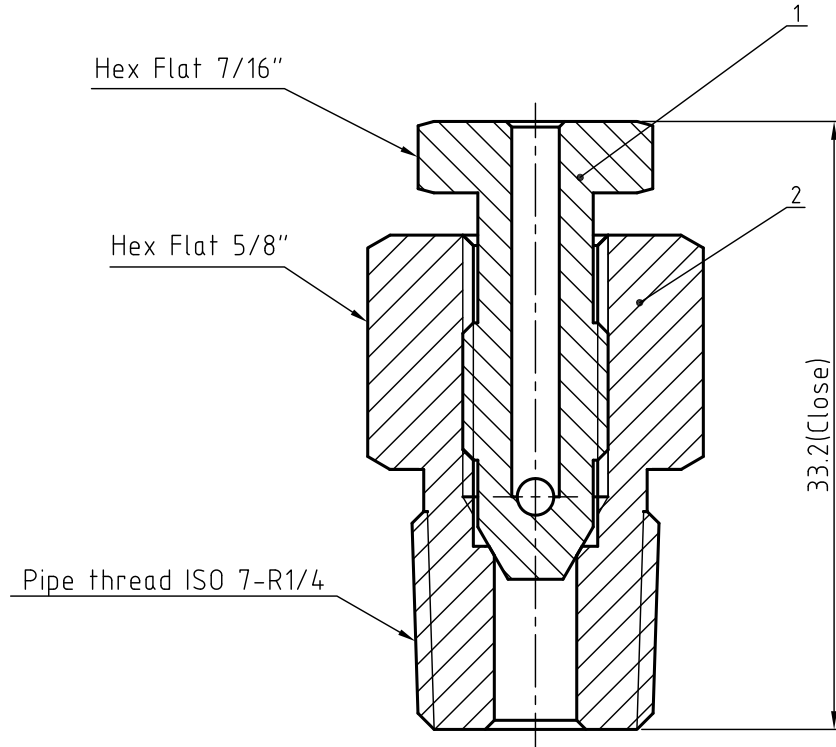


Item	Component	Material
1	Stem	316
2	Body	316



Valve Features	
Maximum working pressure	10000Psig(690bar)
Working temperature	-65~850°F(-53~454°C)
Orifice	0.18in.(4.5mm)

NOTE: Dimensions for reference only.

						<b>FITOK</b>	
				<small>UNLESS OTHERWISE SPECIFIED ALL DIMENSIONS ARE IN MILLIMETER</small>		Bleed Valve	
REV.	DATE	DRAWN	CHECKED	RBSS-RT4			REV.
		NAME	DATE				1
DRAWN							
CHECKED				DO NOT SCALE DRAWING			SHEET 1 OF 1
APPROVED				<small>FITOK Group</small>			